

TAPERED LAMP POST ASSEMBLY INSTRUCTIONS^(1,2)

Check boxes for these contents:

1. Lamp Post
2. Post Cap
3. (2) 2" screws (white)
4. (5) 3" screws (white)
5. Touchup Kit

Tools you will need:

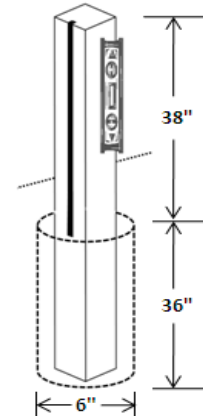
- Wheelbarrow to mix concrete
- Cordless drill w/ #2 square drive bit
- 3/16" Drill bit
- Tape measure
- Level
- Shovel
- Circular saw or router with 1/2" square bit to channel 4x4 post.

Purchased separately

- Lamp
- Pressure treated 4x4 - 74" or longer
- Two bags of pre-mix concrete

STEP ONE - WOOD POST PREPARATION

Take a circular saw or a router with a 1/2" square bit and cut a 1/2"x 1/2" x 50" channel on one side and the top end of the 4x4 post.

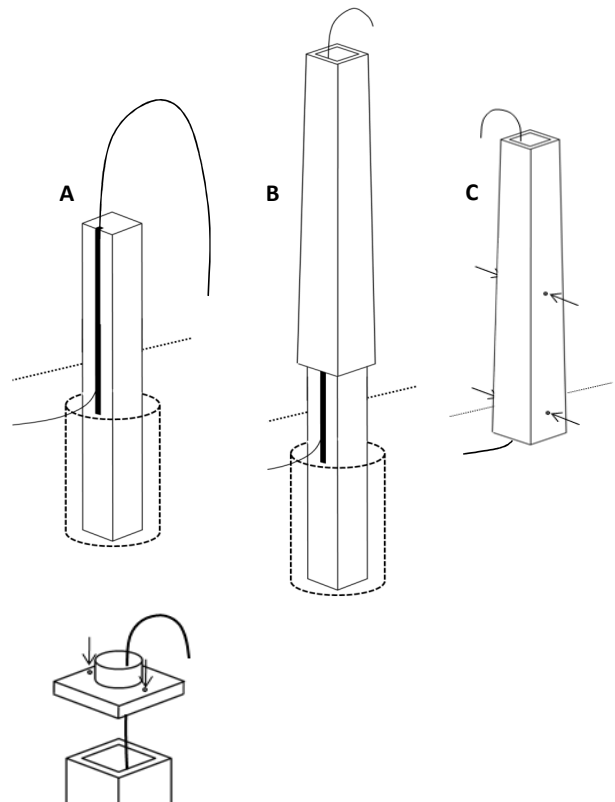


STEP TWO - WOOD POST INSTALLATION

Dig a 36" deep hole in the desired location. Verify the depth of the hole to ensure that the 4x4 wood post will be buried 36" into the ground. A minimum of 38" of the post should be exposed above the ground level, more or less may be required depending on the thickness of the 4X4. Fill the hole 3/4 full with pre-mix concrete. Insert the post into the concrete and check for level. Allow time for the concrete to set, then fill in the remainder of the hole.

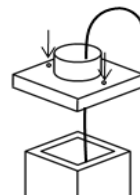
STEP THREE - LAMP POST INSTALLATION

- A. If necessary, pre-wire the lamp by running the wire inside the channel of the post.
- B. Slide the lamp post assembly over the wood post.
- C. Pre-drill 3/16" pilot holes through the vinyl only and fasten the lamp post onto the 4x4 post with the 3" screws assuring that the screws will clear the wiring, do not countersink screws. If your post includes a trim at the base of the post (not pictured) be sure to keep the screws above the trim.



STEP FOUR - ATTACHING POST CAP

Attach post cap unto top of post using 2" screws. Be sure to thread wire through collar of post cap.



STEP FIVE - INSTALLING LAMP

Follow the instructions included with the lamp (purchased separately) and secure it to the round collar on top of the post. You may need to modify how it attaches to the collar.

Cleaning & Touchup.

After installation is complete you can clean your post with clorox or other household detergent. There is also a touchup kit (included) to cover the hard to remove smudges. Keep touchup at a minimum.

