

# EASY 5 STEP CUPOLA INSTALLATION GUIDE



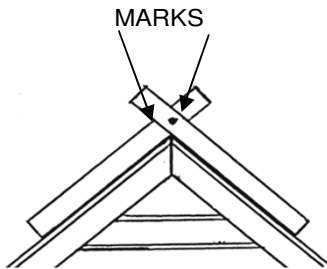
For more detailed information, watch our installation video by scanning the code below or:

Visit our YouTube channel at: [www.youtube.com/royalcrowneoutdooraccents](http://www.youtube.com/royalcrowneoutdooraccents)

Visit our website at: [www.royalcrowne.com](http://www.royalcrowne.com)

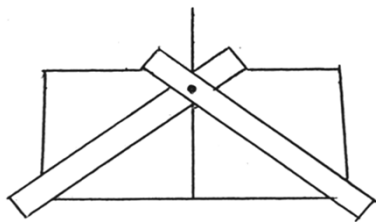


(Please read Installation Guide thoroughly before starting.)



### 1. Determine Your Roof Pitch

Screw two boards together so they pivot. Straddle the roof with each board as shown, making sure each side is flat against the roof and the center is at the center of the peak. Mark the boards & apply another screw. This becomes your cutting template.



### 2. Mark the Cupola Base

Draw a centerline on the cupola base as shown. Using your cutting template, make a line from each corner to the centerline. This will be your cutting line. Your base should now be ready to cut. Start cuts at corners and end at center.

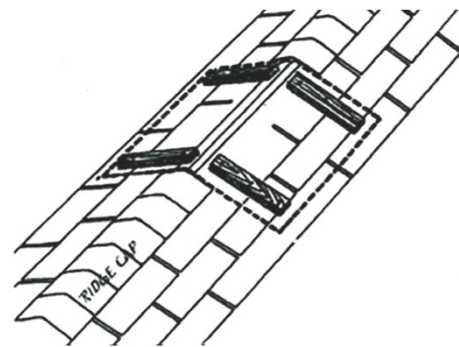
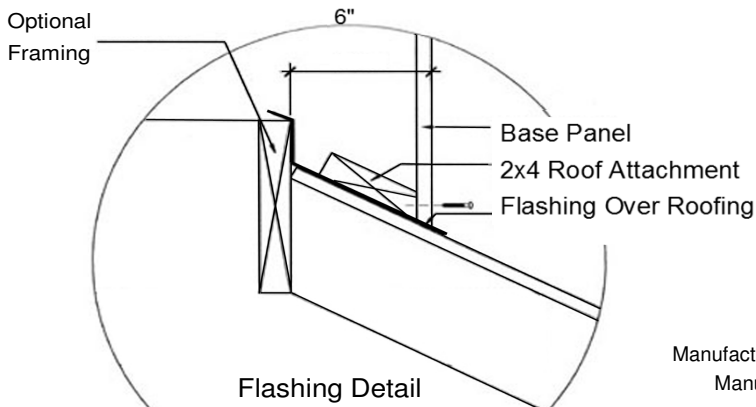
Note: For mounting on a metal roof you may need to cut your cupola base to fit down over the metal ribs or seams.

### 3. Prepare Roof - Decorative (Recommended)

There is no preparation necessary to your roof if your cupola is to be installed for decoration only. (Recommended) If a ridge vent is present then cut out your cupola base to fit around the ridge vent, or remove the ridge vent where you cupola will sit and replace with cap shingles.

#### Prepare Roof - Ventilation or accessibility

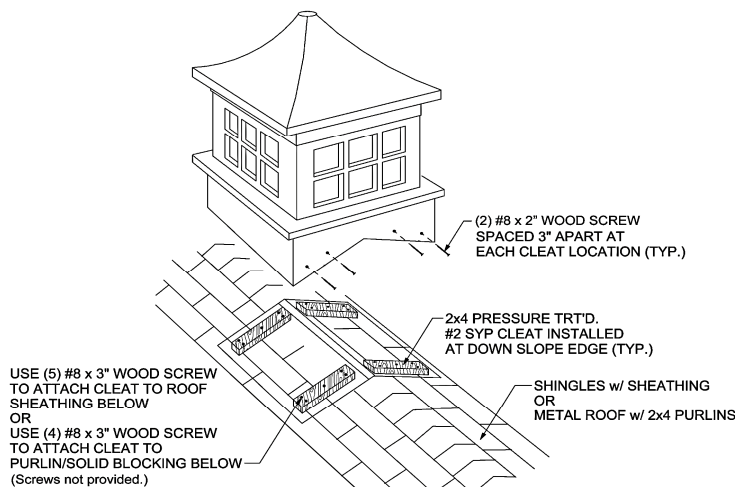
If your cupola will be used for ventilation or accessibility, cut an opening in the roof, leaving a 5"- 6" minimum around the inside perimeter of the cupola base, making sure to leave shingles or other roofing material intact inside cupola base. (Additional flashing or caulking must be used as illustrated in step #5) **Cut shingles & sheathing only. Do not cut ridge or rafters.**



### 4. Position

Position pieces of 2x4s on sides (shown) to be snug against the inside walls of the cupola base. Screw them into the roof.

**Note: For cupolas 60" and larger it is recommended to install additional curbing - support on the inside of the cupola base.**



#### CUPOLA TO ROOF ATTACHMENT

### 5. Mounting & Assembly

Attach the base to the 2x4s. Once the base is secured to the roof, use silicone caulk to seal the sides of the base sections. Leave an area in the 2 lower edges unsealed to allow any water to drain. Now attach the mid-section to the base, and the top to the mid-section using the screws (provided) in the pre-drilled holes. Apply silicone caulk to all exposed screw heads.

**Note:** When mounting for Ventilation or Accessibility you will want to apply roofing sealant & flashing to seal the sides of the cupola base to the roof. Leave an area in the 2 lower sides unsealed to allow any water to drain. Also apply a bead of caulk to the top edge of the cupola base before attaching the mid-section.

For more details on curb framing & flashing details, watch the videos by scanning the codes below or visit our YouTube channel at:

[www.youtube.com/royalcrowneoutdooraccents](http://www.youtube.com/royalcrowneoutdooraccents)

or visit our website at: [www.RoyalCrowne.com](http://www.RoyalCrowne.com)

(Curbing video detail)

(Flashing video detail)



Manufacturer is not responsible for weather related damage under severe conditions.  
Manufacturer is not responsible for any issues if installed differently than these specs.